

Mitsubishi + System 3R tooling

# Ledger for Reference elements and 3Rulers



This ledger is only to guide suitable length of reference elements and 3Ruler for specific machine model. Contents for 3Rulers and/or reference elements, see also TPS-sheets covering the range of 3R-200.yyJ-x, 3R-239-xxx and accessories.

## Mitsubishi

Model	Tooling configuration for X-axis		Tooling configuration for Y-axis		MIC-xxxx	
	Ref. element	3R-239-xxx	Ref. element	3R-239-xxx		
FA10-S Advance	3R-200.3J-2	395	3R-200.47J-2	295	2843	Page: 3
FA20-S Advance	3R-200.47J-2	545	3R-200.5J-2	395	2844	Page: 4
FA30-S Advance	3R-200.5J-2	795.86	3R-200.39J-2	545	2845	Page: 5
FA40-S Advance	3R-200.47J-2 + 3R-200.4J-2	1045**	3R-200.47J-2 + 3R-200.4J-2	N.a.	2846	Page: 6
FA50-S Advance	3R-200.39J-2 + 3R-200.3J-2	1355****	3R-200.39J-2	N.a.	2847	Page: 7
MP1200	3R-200.39J-2	445	3R-200.47J-2	345	2848	Page: 8
MP2400	3R-200.47J-2	645.86	3R-200.39J-2 + 3R-200.3J-2	445	2849	Page: 9
MV1200R	3R-200.39J-2	445	3R-200.47J-2	345	2848	Page: 8
MV1200S	3R-200.3J-2	445	3R-200.4J-1	N.a.	2850	Page: 10
MV2400R / R Z+	3R-200.47J-2	645.86	3R-200.39J-2 + 3R-200.3J-2	445	2849	Page: 9
MV2400S	3R-200.47J-2	645.86	3R-200.3J-2	N.a.	2851	Page: 11
MV2400S Z+	3R-200.47J-2	645.86	3R-200.39J-2 + 3R-200.3J-2	445	2849	Page: 9
MV4800R	3R-200.3J-2	845.86	3R-200.39J-2	645.86	2931	Page: 12
MV4800S	3R-200.3J-2	845.86	3R-200.39J-2	645.86	2852	Page: 13
MX600	3R-200.29J-2	345	3R-200.3J-2	N.a.	2853	Page: 14
MX900	3R-200.3J-2	345	3R-200.3J-2	345	2921	Page: 15

\*\* 3Ruler is supplied by article no.: D-30248

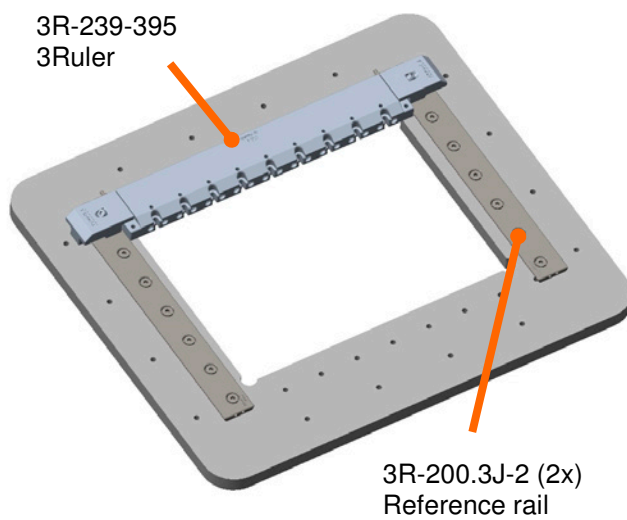
\*\*\*\* 3Ruler is supplied by article no.: D-30249

## MIC – Machine Interface Configuration

November 15, 2018

Subject to modifications  
MIC-2843

### Mitsubishi – FA10-S



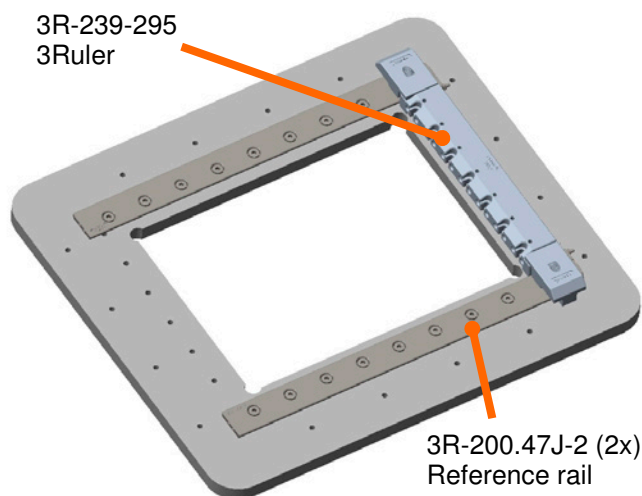
Machine table without tooling

Working area:  
X: 350 mm  
Y: 250 mm

#### Horizontal configuration

This configuration display one 3Ruler, but two cross bars may be used.

Working area:  
X: 350 mm  
Y: 237 mm



#### Vertical configuration

This configuration display one 3Ruler, but two cross bars may be used.

Working area:  
X: 350 mm  
Y: 250 mm

See also TPS-sheet “3R-239-xxx” covering 3Ruler and recommended accessories.

Note: The reference rail also enables the use of other products like: 3R-218-S, 3R-243.2-1 or 3R-272HP.

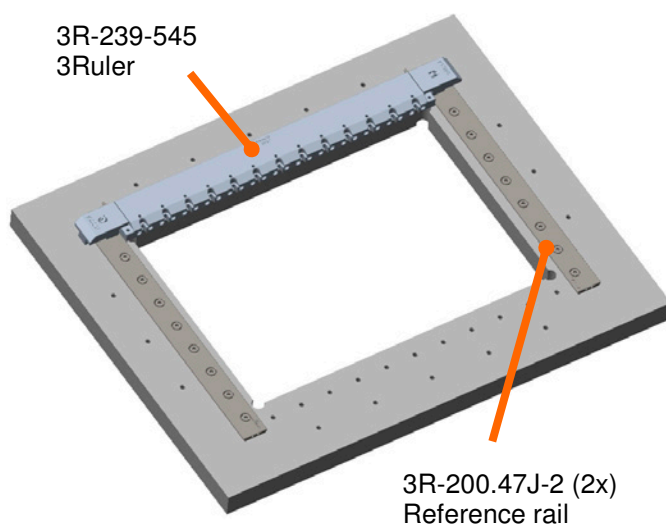
# System 3R

## MIC – Machine Interface Configuration

November 15, 2018

Subject to modifications  
MIC-2844

### Mitsubishi – FA20-S



Machine table without tooling

Working area:

X: 500 mm

Y: 350 mm

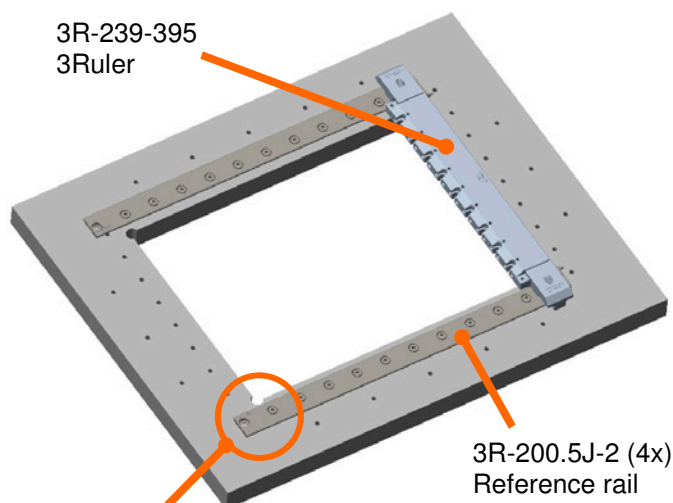
#### Horizontal configuration

This configuration display one 3Ruler, but two cross bars may be used.

Working area:

X: 500 mm

Y: 350 mm



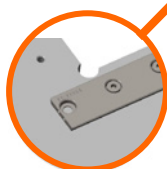
#### Vertical configuration

This configuration display one 3Ruler, but two cross bars may be used.

Working area:

X: 450 mm

Y: 350 mm



NOTE: There is no threading in table thus cut off 50 mm of reference rail for optimal performance.

See also TPS-sheet "3R-239-xxx" covering 3Ruler and recommended accessories.

Note: The reference rail also enables the use of other products like: 3R-218-S, 3R-243.2-1 or 3R-272HP.

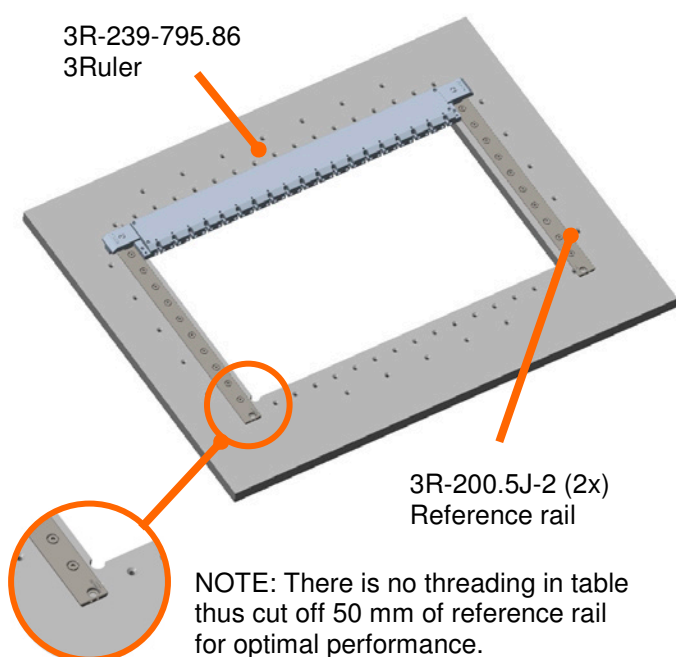
# System 3R

## MIC – Machine Interface Configuration

November 15, 2018

Subject to modifications  
MIC-2845

### Mitsubishi – FA30-S



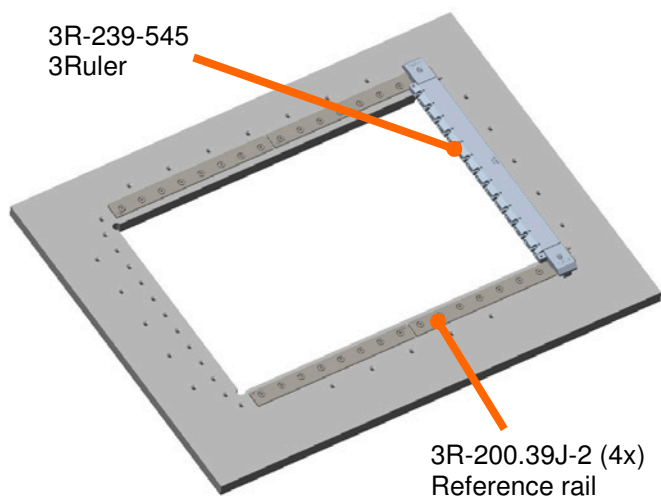
Machine table without tooling

Working area:  
X: 750 mm  
Y: 500 mm

#### Horizontal configuration

This configuration display one 3Ruler, but two cross bars may be used.

Working area:  
X: 750 mm  
Y: 423 mm



#### Vertical configuration

This configuration display one 3Ruler, but two cross bars may be used.

Working area:  
X: 737 mm  
Y: 500 mm

See also TPS-sheet "3R-239-xxx" covering 3Ruler and recommended accessories.

Note: The reference rail also enables the use of other products like: 3R-218-S, 3R-243.2-1 or 3R-272HP.

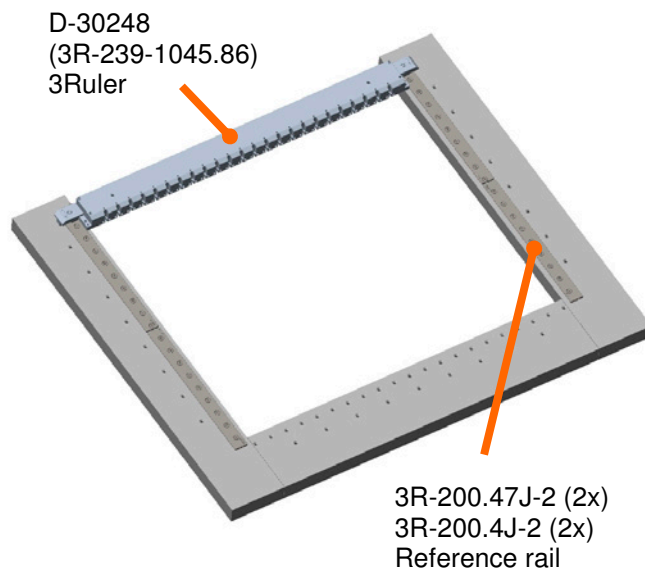
# System 3R

## MIC – Machine Interface Configuration

November 19, 2018

Subject to modifications  
MIC-2846

### Mitsubishi – FA40-S



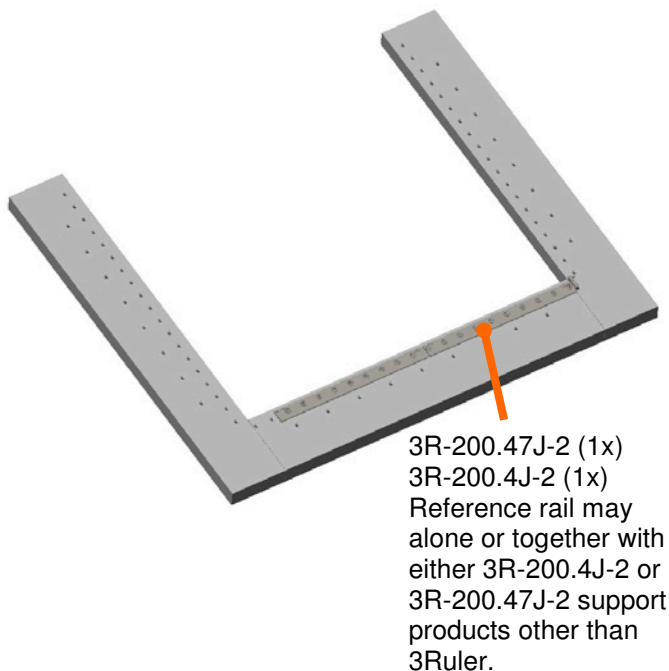
Machine table without tooling

Working area:  
X: 1000 mm  
Y: 800 mm

#### Horizontal configuration

This configuration display one 3Ruler, but two cross bars may be used.

Working area:  
X: 1000 mm  
Y: 800 mm



#### Vertical configuration

This U-shaped machine-table, does not support 3Ruler.

Working area:  
X: 1000 mm  
Y: 800 mm

See also TPS-sheet "3R-239-xxx" covering 3Ruler and recommended accessories.

Note: The reference rail also enables the use of other products like: 3R-218-S, 3R-243.2-1 or 3R-272HP.

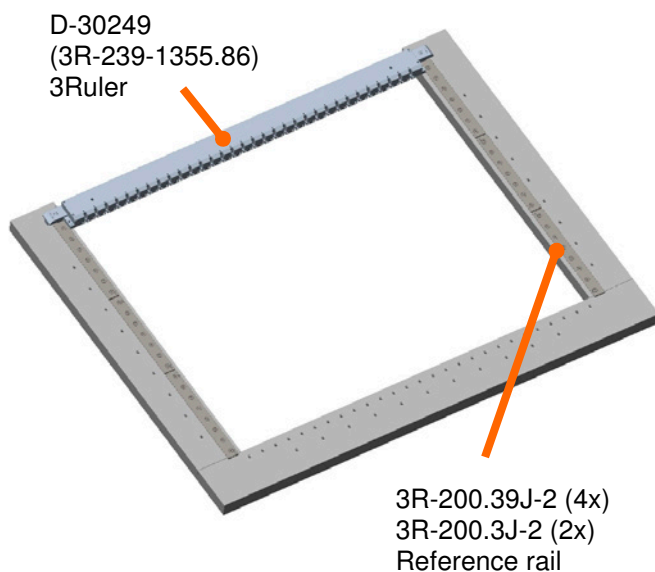
# System 3R

## MIC – Machine Interface Configuration

November 19, 2018

Subject to modifications  
MIC-2847

### Mitsubishi – FA50-S



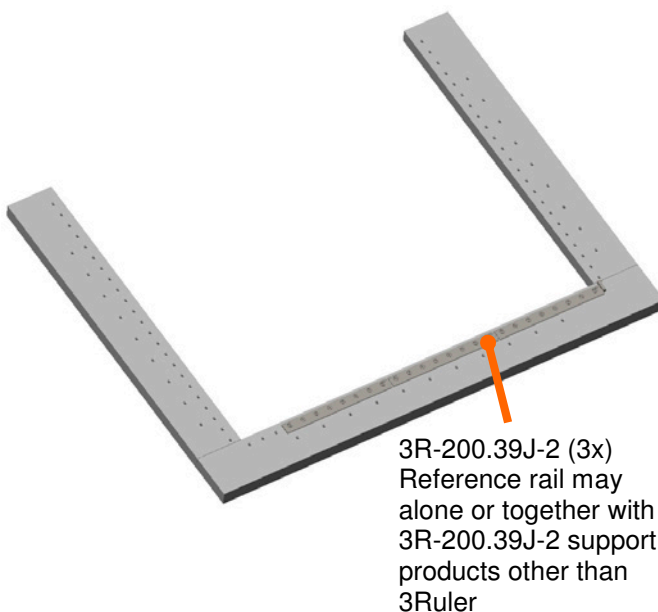
Machine table without tooling

Working area:  
X: 1300 mm  
Y: 1000 mm

#### Horizontal configuration

This configuration display one 3Ruler, but two cross bars may be used.

Working area:  
X: 1300 mm  
Y: 1000 mm



#### Vertical configuration

This U-shaped machine-table, does not support 3Ruler.

Working area:  
X: 1300 mm  
Y: 1000 mm

See also TPS-sheet “3R-239-xxx” covering 3Ruler and recommended accessories.

Note: The reference rail also enables the use of other products like: 3R-218-S, 3R-243.2-1 or 3R-272HP.



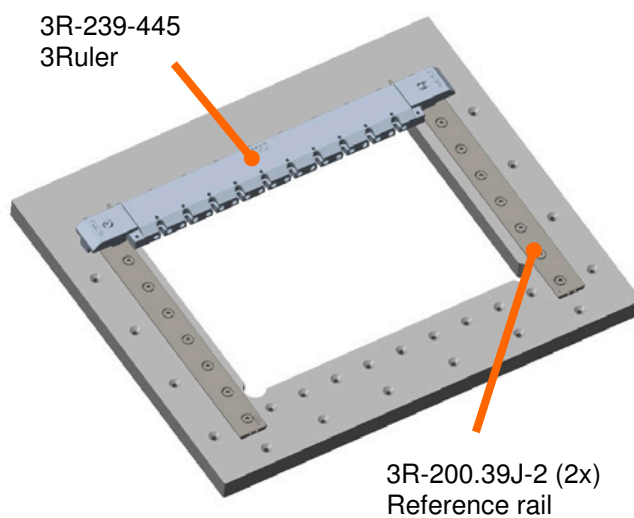
# System 3R

## MIC – Machine Interface Configuration

November 21, 2018

Subject to modifications  
MIC-2848

### Mitsubishi – MP1200, MV1200R



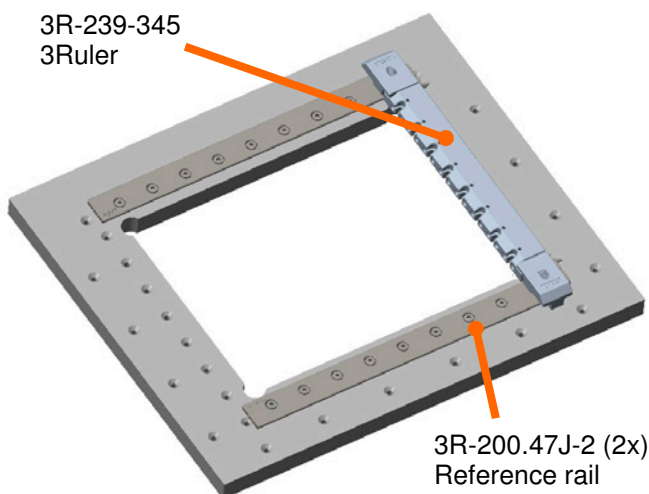
Machine table without tooling

Working area:  
X: 400 mm  
Y: 300 mm

#### Horizontal configuration

This configuration display one 3Ruler,  
but two cross bars may be used.

Working area:  
X: 400 mm  
Y: 267 mm



#### Vertical configuration

This configuration display one 3Ruler,  
but two cross bars may be used.

Working area:  
X: 390 mm  
Y: 300 mm

See also TPS-sheet “3R-239-xxx” covering  
3Ruler and recommended accessories.

Note: The reference rail also enables the  
use of other products like: 3R-218-S,  
3R-243.2-1 or 3R-272HP.



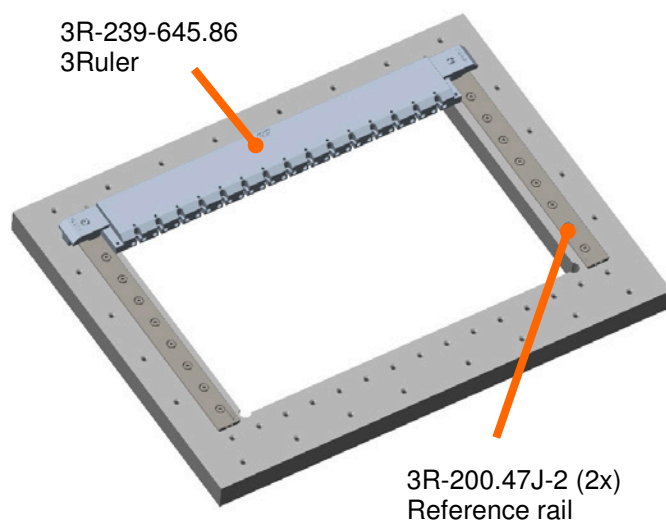
# System 3R

## MIC – Machine Interface Configuration

November 21, 2018

Subject to modifications  
MIC-2849

### Mitsubishi – MP2400, MV2400, MV2400R, MV2400R Z+, MV2400S Z+



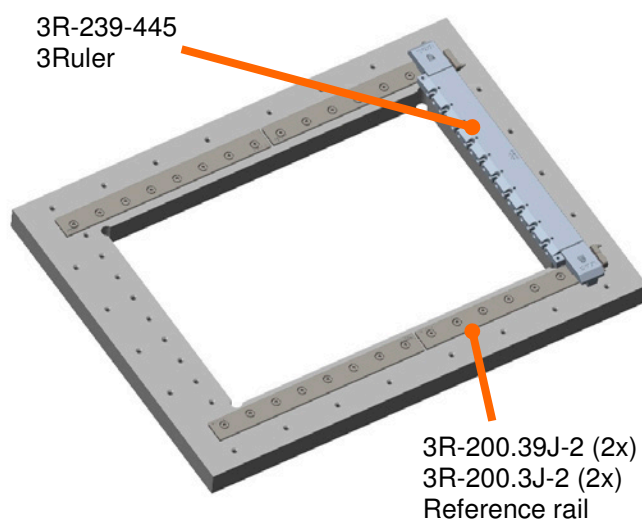
Machine table without tooling

Working area:  
X: 600 mm  
Y: 400 mm

#### Horizontal configuration

This configuration display one 3Ruler, but two cross bars may be used.

Working area:  
X: 600 mm  
Y: 364 mm



#### Vertical configuration

This configuration display one 3Ruler, but two cross bars may be used.

Working area:  
X: 600 mm  
Y: 400 mm

See also TPS-sheet "3R-239-xxx" covering 3Ruler and recommended accessories.

Note: The reference rail also enables the use of other products like: 3R-218-S, 3R-243.2-1 or 3R-272HP.

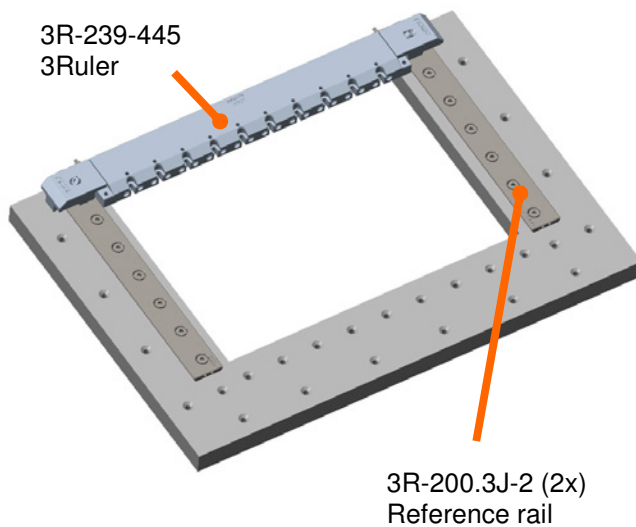
# System 3R

## MIC – Machine Interface Configuration

November 21, 2018

Subject to modifications  
MIC-2850

### Mitsubishi – MV1200S



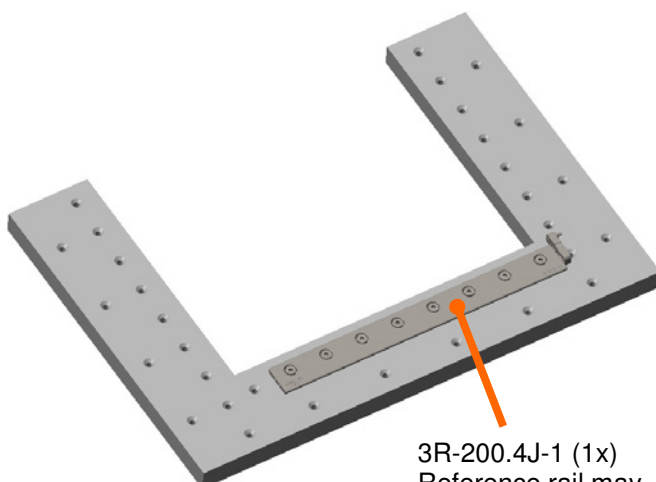
Machine table without tooling

Working area:  
X: 400 mm  
Y: 300 mm

#### Horizontal configuration

This configuration display one 3Ruler, but two cross bars may be used.

Working area:  
X: 400 mm  
Y: 267 mm



#### Vertical configuration

This U-shaped machine-table, does not support 3Ruler.

Working area:  
X: 400 mm  
Y: 300 mm

See also TPS-sheet "3R-239-xxx" covering 3Ruler and recommended accessories.

Note: The reference rail also enables the use of other products like: 3R-218-S, 3R-243.2-1 or 3R-272HP.

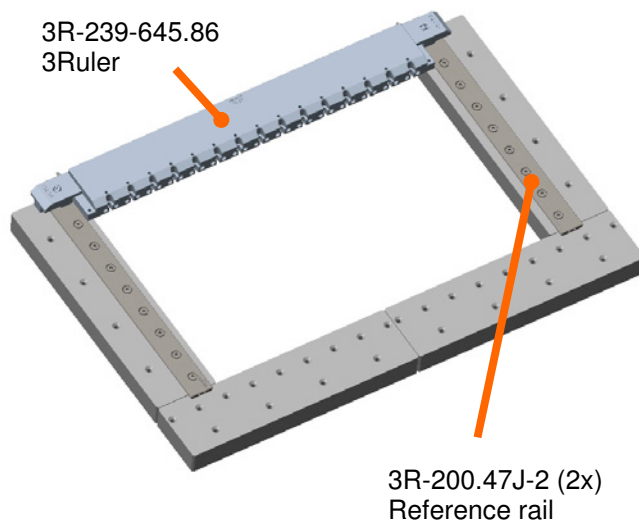
# System 3R

## MIC – Machine Interface Configuration

November 21, 2018

Subject to modifications  
MIC-2851

### Mitsubishi – MV2400S



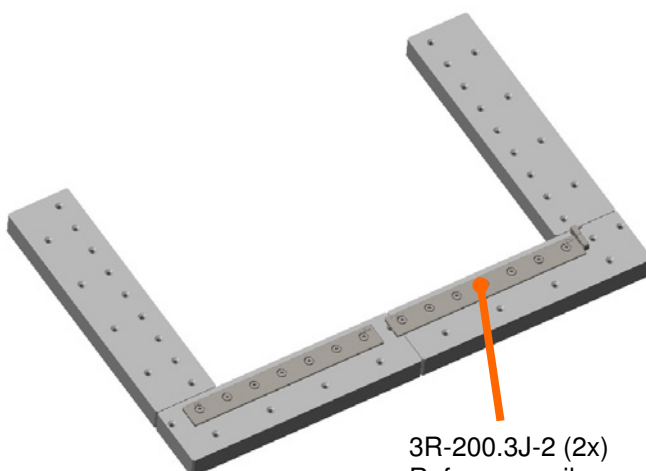
Machine table without tooling

Working area:  
X: 600 mm  
Y: 400 mm

#### Horizontal configuration

This configuration display one 3Ruler, but two cross bars may be used.

Working area:  
X: 600 mm  
Y: 364 mm



#### Vertical configuration

This U-shaped machine-table, does not support 3Ruler.

Working area:  
X: 600 mm  
Y: 400 mm

See also TPS-sheet “3R-239-xxx” covering 3Ruler and recommended accessories.

Note: The reference rail also enables the use of other products like: 3R-218-S, 3R-243.2-1 or 3R-272HP.

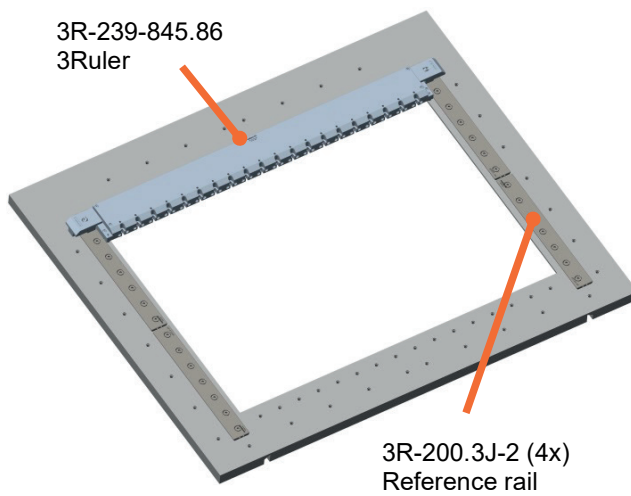
# System 3R

## MIC – Machine Interface Configuration

February 27, 2020

Subject to modifications  
MIC-2931

### Mitsubishi – MV4800R



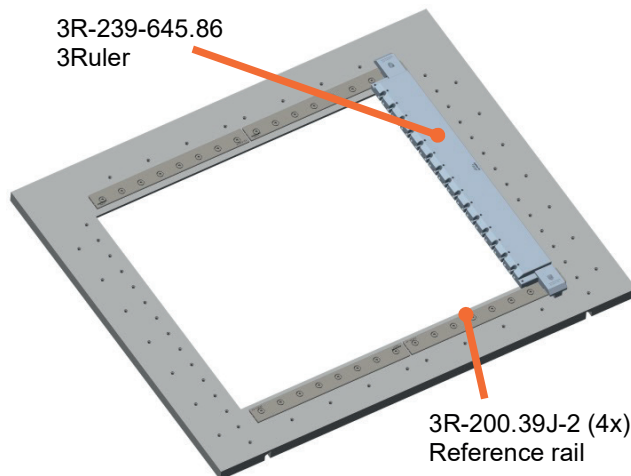
Machine table without tooling

Working area:  
X: 800 mm  
Y: 600 mm

#### Horizontal configuration

This configuration display one 3Ruler, but two cross bars may be used.

Working area:  
X: 800 mm  
Y: 536 mm



#### Vertical configuration

This configuration display one 3Ruler, but two cross bars may be used.

Working area:  
X: 710 mm  
Y: 600 mm

See also TPS-sheet “3R-239-xxx” covering 3Ruler and recommended accessories.

Note: The reference rail also enables the use of other products like: 3R-218-S, 3R-243.2-1 or 3R-272HP.

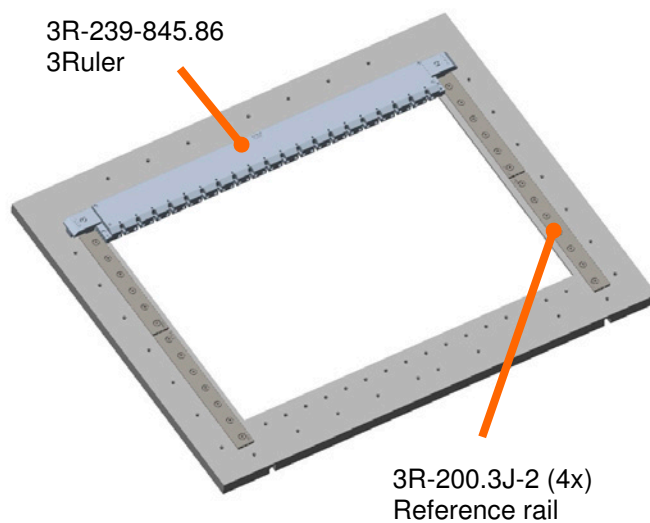
# System 3R

## MIC – Machine Interface Configuration

November 21, 2018

Subject to modifications  
MIC-2852

### Mitsubishi – MV4800S



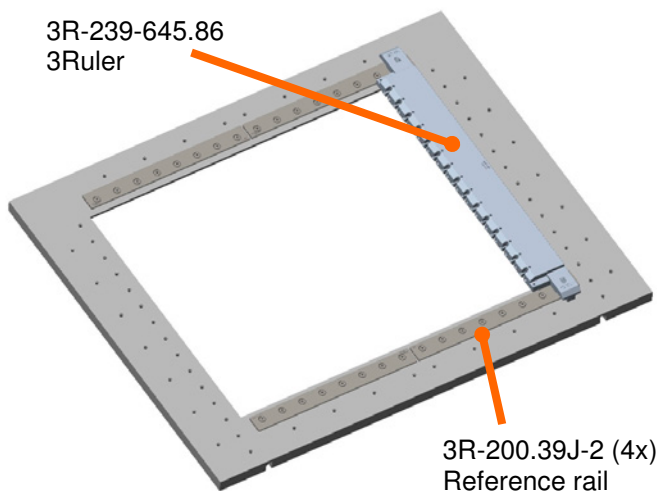
Machine table without tooling

Working area:  
X: 800 mm  
Y: 600 mm

#### Horizontal configuration

This configuration display one 3Ruler, but two cross bars may be used.

Working area:  
X: 800 mm  
Y: 536 mm



#### Vertical configuration

This configuration display one 3Ruler, but two cross bars may be used.

Working area:  
X: 710 mm  
Y: 600 mm

See also TPS-sheet “3R-239-xxx” covering 3Ruler and recommended accessories.

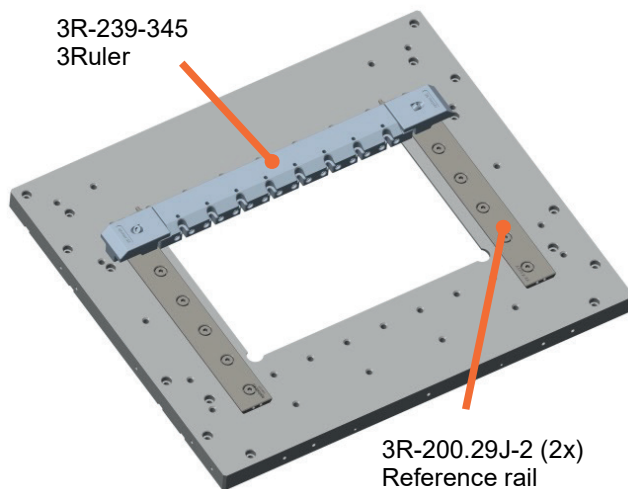
Note: The reference rail also enables the use of other products like: 3R-218-S, 3R-243.2-1 or 3R-272HP.

## MIC – Machine Interface Configuration

July 30, 2019

Subject to modifications  
MIC-2853

### Mitsubishi – MX600



Machine table without tooling

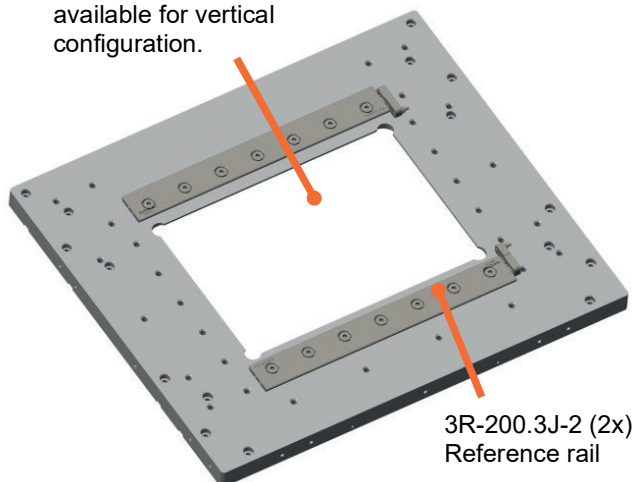
Working area:  
X: 300 mm  
Y: 200 mm

#### Horizontal configuration

This configuration display one 3Ruler, but two cross bars may be used.

Working area:  
X: 300 mm  
Y: 179 mm

No 3Ruler has been made available for vertical configuration.



#### Vertical configuration

The size of table does not support Ruler by vertical configuration.

Working area:  
X: 300 mm  
Y: 200 mm

See also TPS-sheet "3R-239-xxx" covering 3Ruler and recommended accessories.

Note: The reference rail also enables the use of other products like: 3R-218-S, 3R-243.2-1 or 3R-272HP.

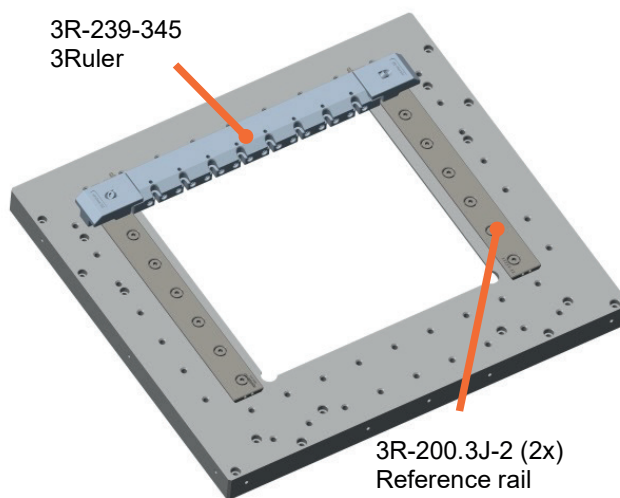
# System 3R

## MIC – Machine Interface Configuration

July 30, 2019

Subject to modifications  
MIC-2921

### Mitsubishi – MX900



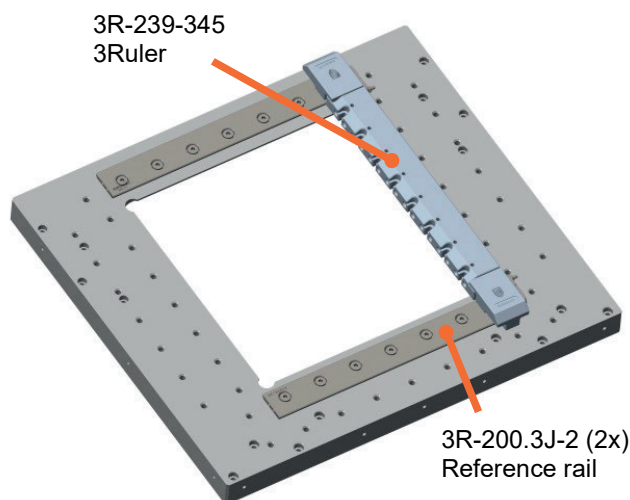
Machine table without tooling

Working area:  
X: 300 mm  
Y: 300 mm

#### Horizontal configuration

This configuration display one 3Ruler, but two cross bars may be used.

Working area:  
X: 300 mm  
Y: 277 mm



#### Vertical configuration

This configuration display one 3Ruler, but two cross bars may be used.

Working area:  
X: 277 mm  
Y: 300 mm

See also TPS-sheet “3R-239-xxx” covering 3Ruler and recommended accessories.

Note: The reference rail also enables the use of other products like: 3R-218-S, 3R-243.2-1 or 3R-272HP.



