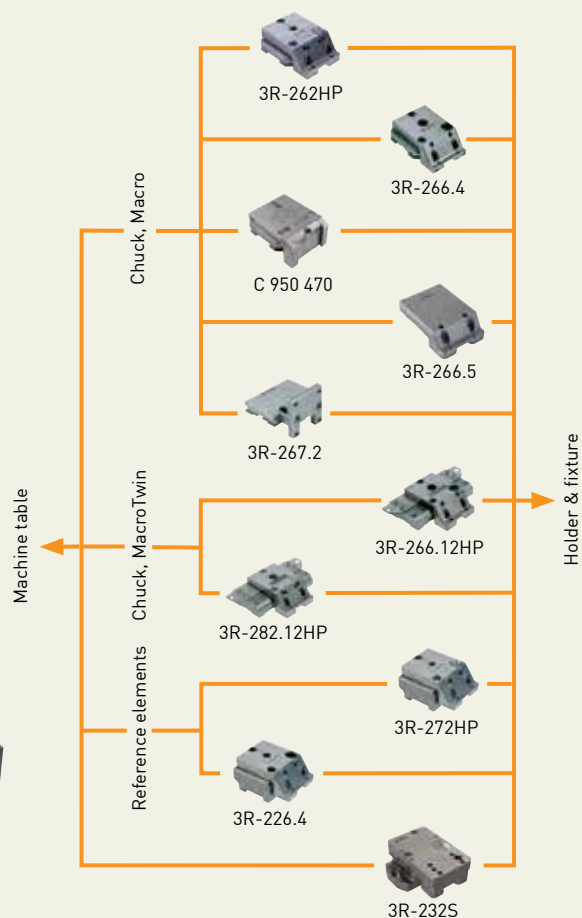
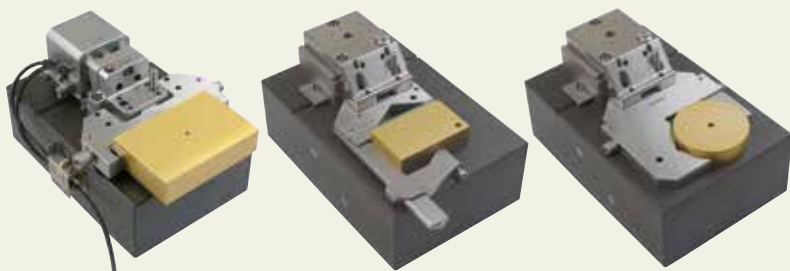


Mounting heads

Rapid setup is essential if you want to benefit from the material removal capacity and the accuracy offered by modern machines. However, faster machines with increased flushing pressure cause resonance and vibration. So in order to fully utilise the capability of the machines it is necessary to have stable tools and workpiece mountings.

- + Setup done in seconds
- + Gives maximum workpiece precision
- + Utilises the machine capacity
- + More stable than any other system
- + Minimal vibration
- + Minimises resonance



Pre-set in three axes



Pre-set in three axes with System 3R's levelling adapter. This can be done with an accuracy of thousandths of a millimetre!

The simple, directly measurable references of the levelling adapter mean that presetting can be done on an ordinary surface plate, using one of System 3R's presetting stones.

Preset away from the machine. Lift the preset "package" into place – levelling adapter, holder and workpiece – fix with a few simple manual operations and start the machine.

Simple, quick and precise.

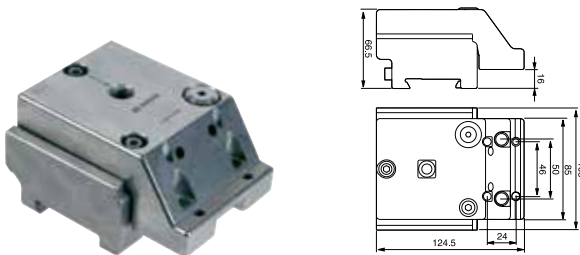
Mounting heads

Levelling adapter, WEDM, 3R-272HP

For manual mounting of SuperVice, a holder or a fixture in the WEDM system.

Note: All holders including HP can be mounted. Also fits the ICS system if the clamping jaw (17850-00) is changed.

- Adjustable in three axes
- Recommended maximum load 15 kg
- Weight 3.1 kg.

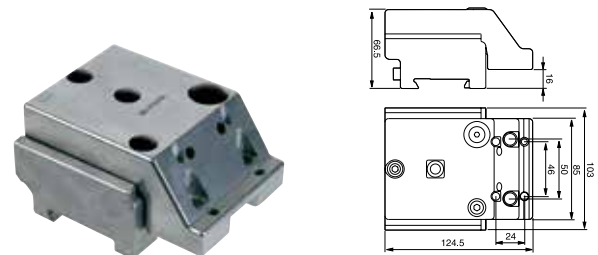


Fixed mounting head, WEDM, 3R-226.4

For manual mounting of SuperVice, a holder or a fixture in the WEDM system.

Note: All holders including HP can be mounted. Also fits the ICS system if the clamping jaw (17850-00) is changed.

- Recommended maximum load 15 kg
- Weight 3.1 kg.

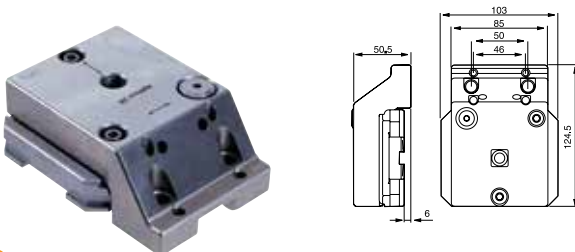


Levelling adapter, Macro , 3R-262HP

For mounting SuperVice, a holder or a fixture in the Macro system.

Note: All holders including HP can be mounted.

- Adjustable in three axes
- Recommended maximum load 15 kg
- Adapted for automatic changing
- Ready for code carrier
- Weight 3.1 kg.

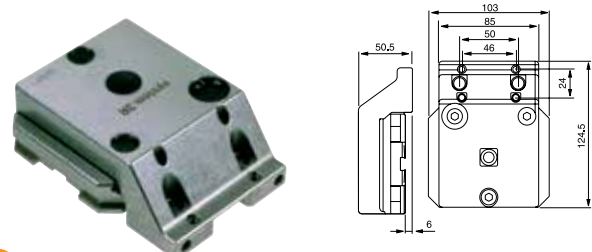


Fixed mounting head, Macro, 3R-266.4

For manual mounting of SuperVice, a holder or a fixture in the Macro system.

Note: All holders including HP can be mounted.

- Recommended maximum load 15 kg
- Adapted for automatic changing
- Ready for code carrier
- Weight 3.1 kg.

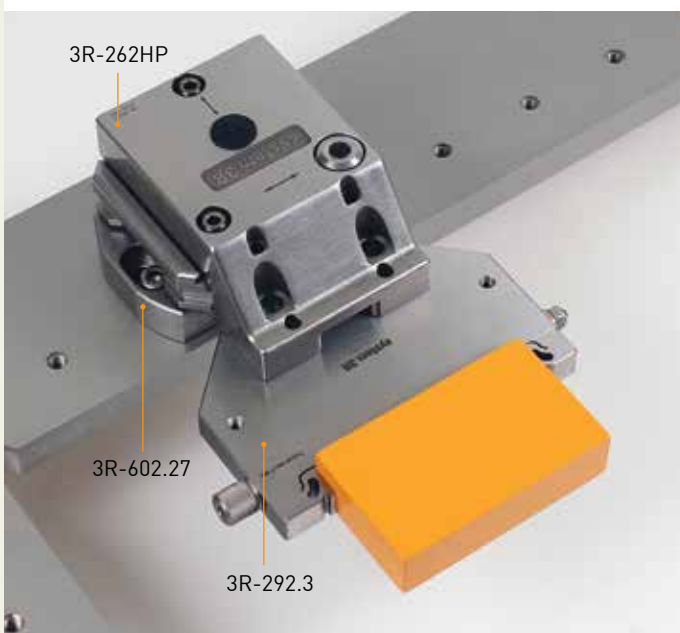
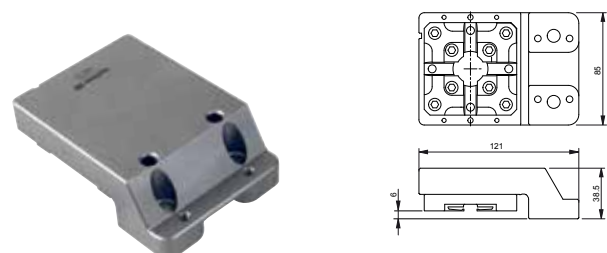


Fixed mounting head, Macro, 3R-266.5

For mounting SuperVice, a holder or a fixture in the Macro system.

Note: All holders including HP can be mounted.

- Recommended maximum load 15 kg
- Adapted to automatic changing with 3R-WP1
- Ready for code carrier
- Weight 2 kg.



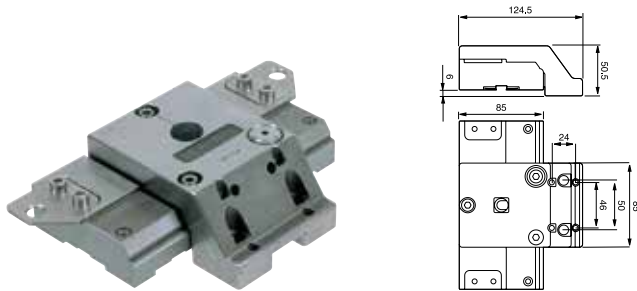
Mounting heads & adapters

Levelling adapter, Magnum MacroTwin, 3R-282.12HP

For mounting Magnum holders in the MacroTwin system.

Note: All holders including HP can be mounted.

- Adjustable in three axes
- Recommended maximum load 15 kg
- Supplied with drawbars 3R-605.10 x2
- Adapted to automatic changing with 3R-W12-S
- Ready for code carrier
- Weight 4.2 kg.

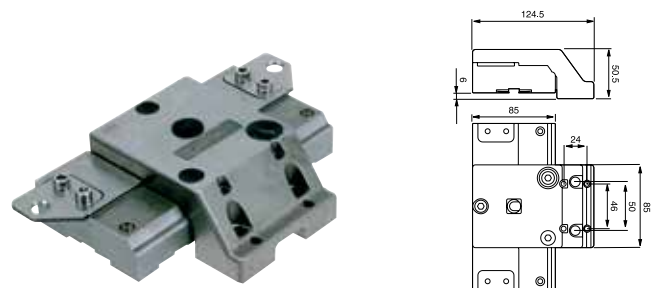


Fixed mounting head, Magnum MacroTwin, 3R-266.12HP

For manual mounting of Magnum holders in the MacroTwin system.

Note: All holders including HP can be mounted.

- Recommended maximum load 15 kg
- Supplied with drawbar 3R-605.10 x2
- Can be adapted to automatic changing with 3R-W12-S
- Ready for code carrier
- Weight 4.2 kg.

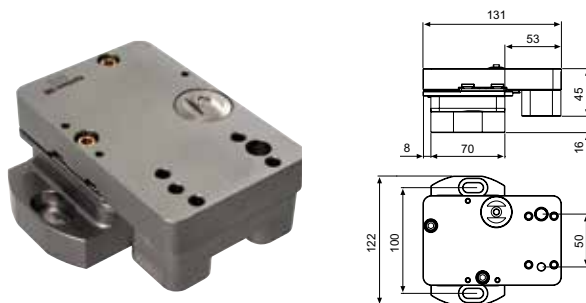


Levelling adapter, 3R-232S

For mounting SuperVice, a holder or a fixture directly on the machine table.

Note: All holders including HP can be mounted.

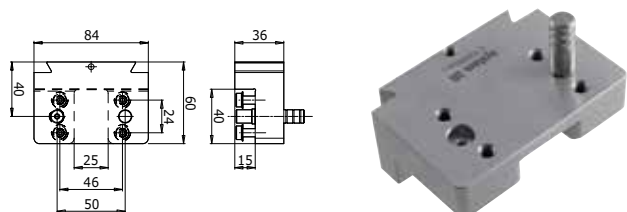
- Recommended maximum load 15 kg
- Adjustable in three axes when clamped in the machine.
- Weight 4.3 kg.



Unimatic Adapter SuperVice/Macro WEDM, C 950 480

Adapter for System 3R clamping elements with adaptation height 15 / 25 mm; with Unimatic dovetail slide.

- Functional height Unimatic: 40 mm / SuperVice/Macro: 15 / 25 mm
- Adaptation to Unimatic system C 950 150 or C 950 170 SuperVice/Macro to all clamping elements with functional height 15 / 25 mm
- Weight 1.3 kg.



Adapters

For mounting ICS holders in WEDM, Macro and MacroTwin mounting heads.

C 457 940

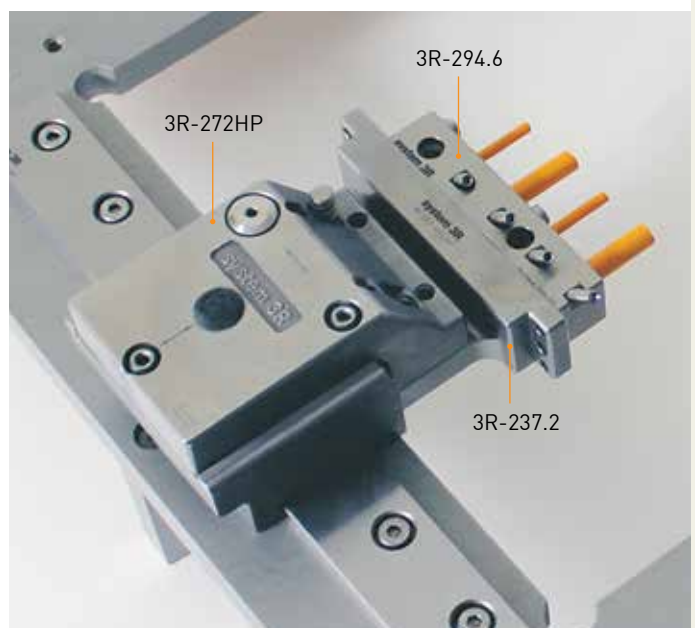
- ICS A

C 457 960

- ICS B

C 457 980

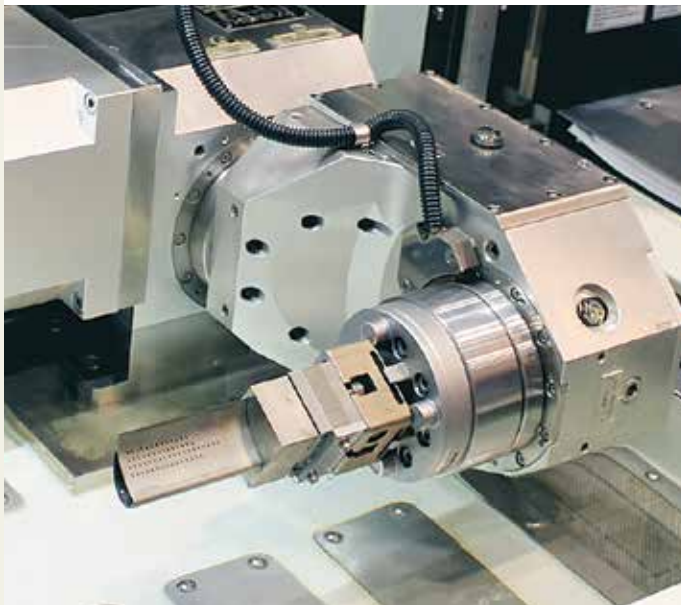
- ICS C



Mounting heads, adapters & User kits

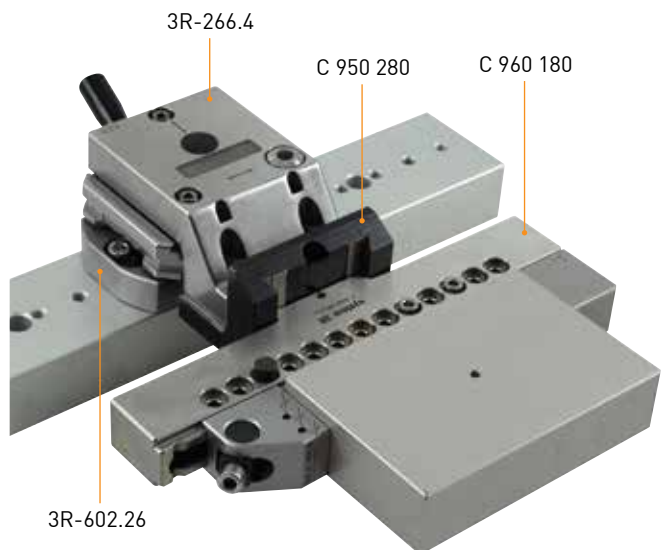
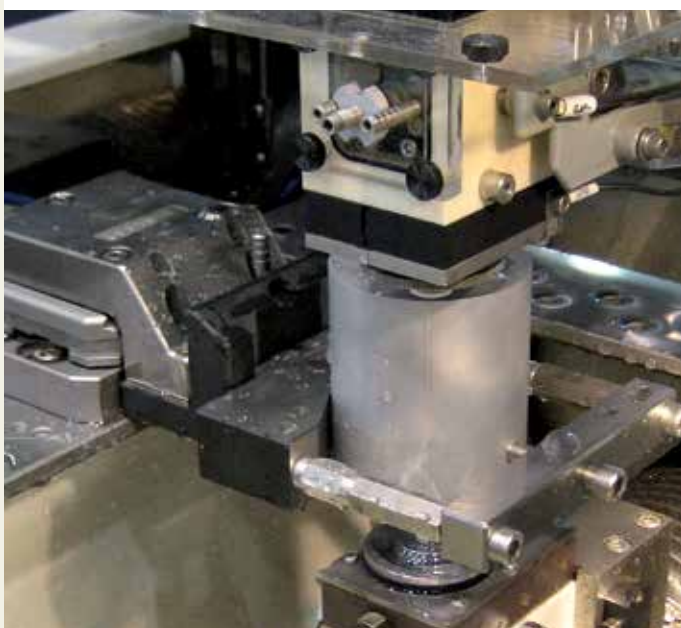
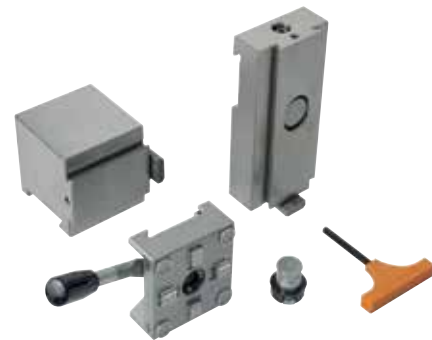
Adapter, C 950 280

For mounting Unimatic holders in WEDM, Macro and MacroTwin mounting heads.



User kit, 3R-243.2-1

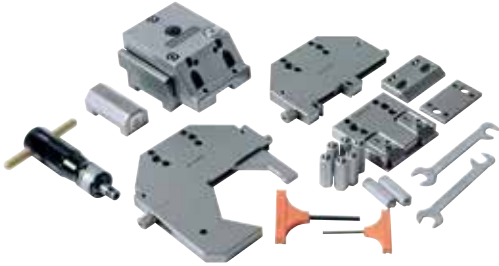
3R-201J	Adapter 90°	x1
3R-204	Height adapter	x1
3R-602.27-1	Manual chuck for Macro	x1
3R-605.27RS	Drawbar	x1
3R-333-05	Allen key, 5 mm	x1



User kits

User kit, 3R-242HP

3R-225	Reference stop	x1
3R-272HP	Levelling adapter HP	x1
3R-292.3	SuperVice <100 mm	x1
3R-293.3	SuperVice Ø8-90 mm	x1
3R-294.3	Vice <100 mm	x1
3R-914.07	Torque wrench, 7Nm	x1
3R-333-03	Allen key, 3 mm	x1
3R-333-05	Allen key, 5 mm	x1



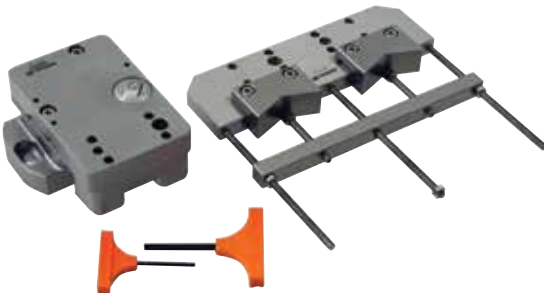
User kit, 3R-242.82HP

3R-239.1	Ruler vice	x1
3R-272HP	Levelling adapter HP	x1
3R-292.66HP	Magnum Holder HP	x1



User kit, 3R-242S-1

3R-232S	Levelling adapter	x1
3R-292.3S	Universal holder	x1
3R-333-03	Allen key, 3 mm	x1
3R-333-05	Allen key, 5 mm	x1



User kit, 3R-242S-2

3R-232S	Levelling adapter	x1
3R-292.6S	SuperVice Magnum	x1
3R-333-03	Allen key, 3 mm	x1
3R-333-05	Allen key, 5 mm	x1



User kit, 3R-242S-3

3R-232S	Levelling adapter	x1
3R-293.33	Universal holder	x1
3R-333-03	Allen key, 3 mm	x1
3R-333-05	Allen key, 5 mm	x1



User kit, 3R-242S-4

3R-602.26	Manual chuck	x1
3R-262HP	Levelling adapter Macro	x1
3R-292.6S	SuperVice Magnum	x1
3R-605.26	Drawbar	x1
3R-333-05	Allen key, 5 mm	x1
45600-N03	Allen key, 3 mm	x1
45600-N041	Allen key, 6 mm	x1

